



Portable Zigzag Sewing Machine  
**HZL-60 CE**

**PARTS LIST**

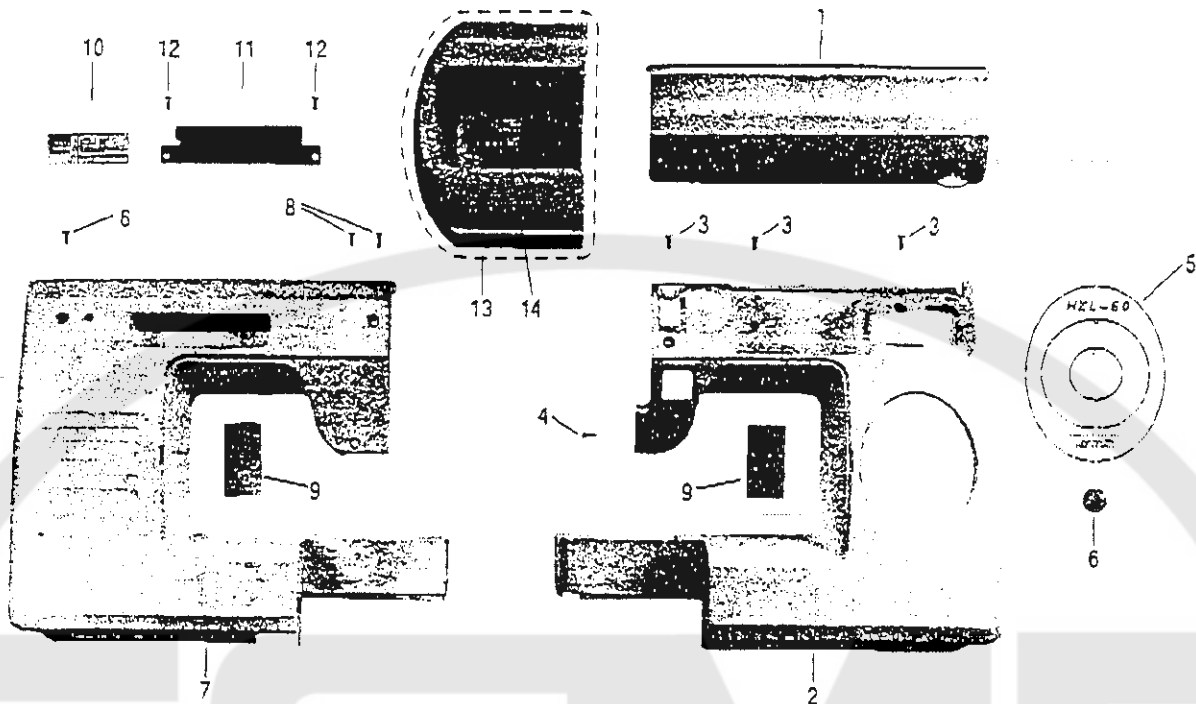
---



## CONTENTS

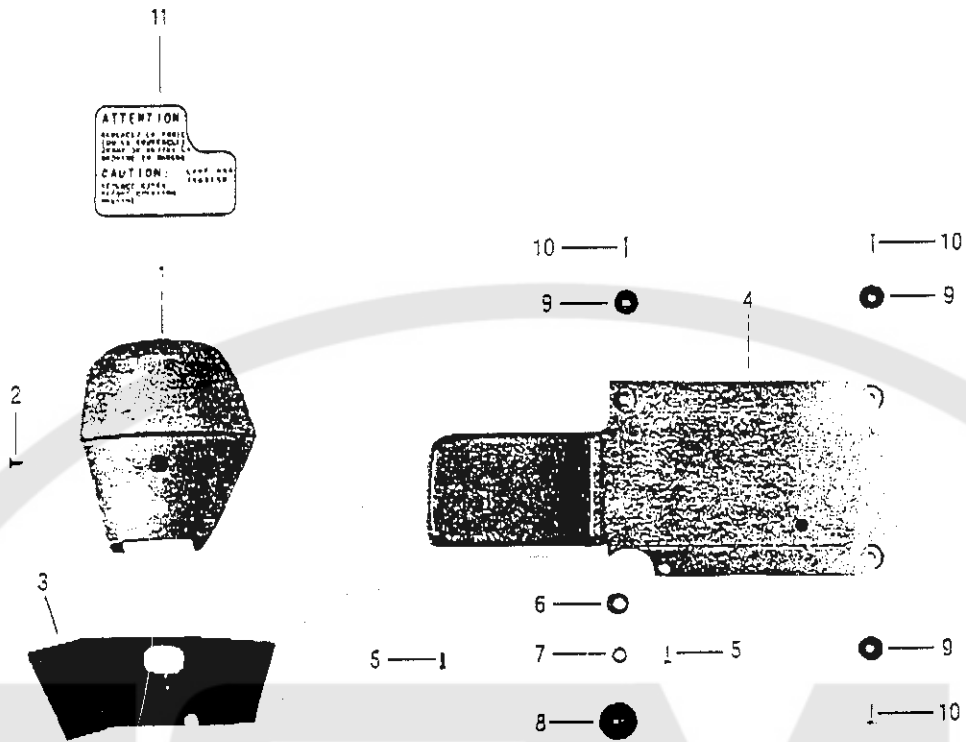
1. EXTERNAL APPEARANCE COMPONENTS .....	1
2. FACE COVER AND UNDER SIDE COVER COMPONENTS .....	2
3. HOOK COMPONENTS .....	3
4. PRESSER FOOT AND THROAT PLATE COMPONENTS .....	4
5. MAIN SHAFT COMPONENTS .....	5
6. NEEDLE BAR AND THREAD TAKE-UP COMPONENTS .....	7
7. THREAD SPOOL COMPONENTS .....	9
8. THREAD TENSION DIAL AND REVERSE STITCH KNOB COMPONENTS .....	10
9. STITCH PATTERN DIAL COMPONENTS .....	11
10. HOOK DRIVING SHAFT COMPONENTS .....	12
11. FEED MECHANISM COMPONENTS .....	13
12. LAMP COMPONENTS .....	15
13. MOTOR COMPONENTS .....	16
14. PACKING MATERIALS AND ACCESSORIES PARTS COMPONENTS .....	17

# I. EXTERNAL APPEARANCE COMPONENTS



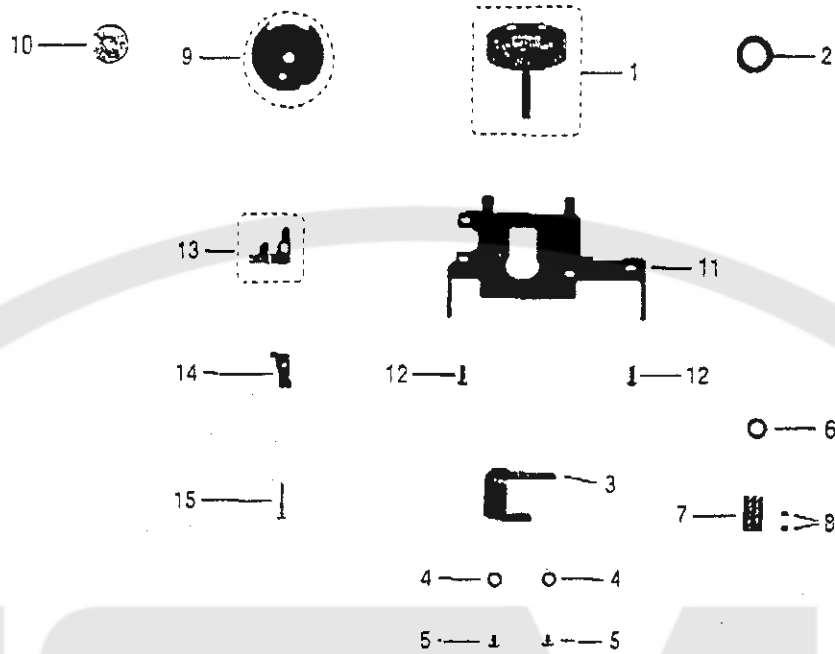
Ref. No.	Part No.	Part description	Amt. req.	Note
1	011043004-383	Arm cover	1	
2	A3901-60C-000	Front cover	1	
3	320140101-074	Front cover set screw (M4)	3	
4	171418009-034	Front cover t. screw (M3)	1	
5	A3911-60C-000	Panel	1	
6	010982003-383	Controller socket cap	1	
7	A3931-60C000	Rear cover	1	
8	320140101-074	Rear cover set screw (M4)	3	
9	011054002-000	Silencer sheet	2	
10	A7104-60C-000	Rating plate	1	
11	011047009-000	Handle	1	
12	320140101-074	Handle set screw (M4)	2	
13	A1162-067-0A0	Auxiliary bed (asm.)	1	
14	A1164-067-000	Auxiliary bed spring	(1)	

## 2. FACE COVER AND UNDER SIDE COVER COMPONENTS



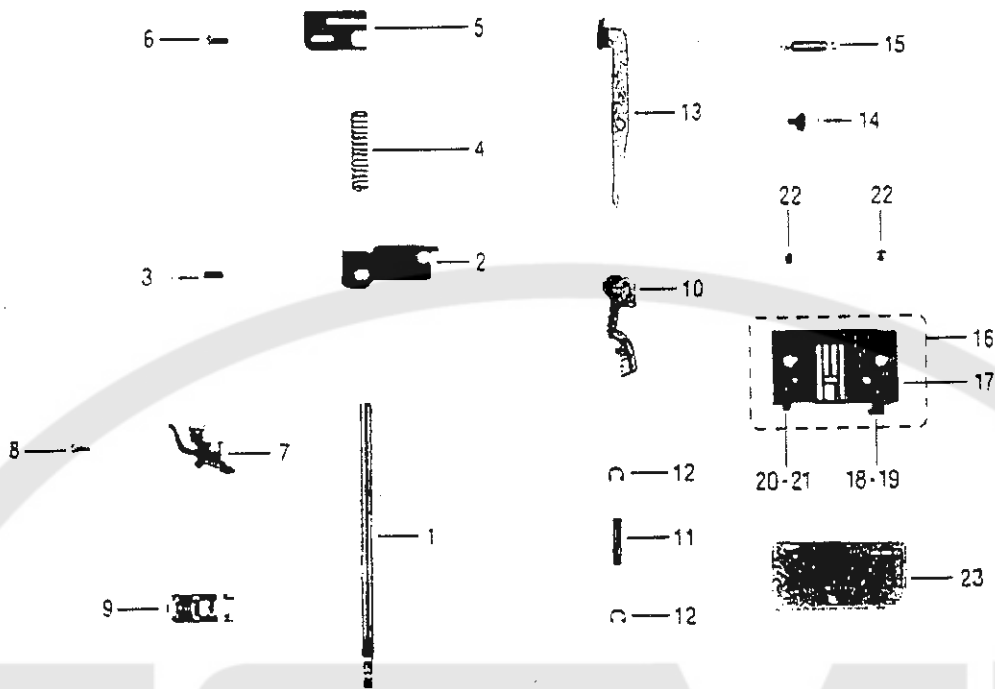
Ref. No.	Part No.	Part description	Amt. req.	Note
1	A3115-067-000	Face cover	1	
2	320240081-074	Face cover set screw (M4)	1	
3	011052005-000	Reflector plate	1	
4	011048002-383	Under side cover	1	
5	320140101-074	Under side cover set screw (M4)	2	
6	010820000-000	Adjusting screw torque spring	1	
7	160018009-034	Washer	1	
8	A1158-067-000	Adjusting screw	1	
9	010404009-000	Base bottom rubber	3	
10	320240123-074	Base bottom rubber set screw (M4)	3	
11	A3807-60C-200	Lamp caution label	1	

### 3. HOOK COMPONENTS



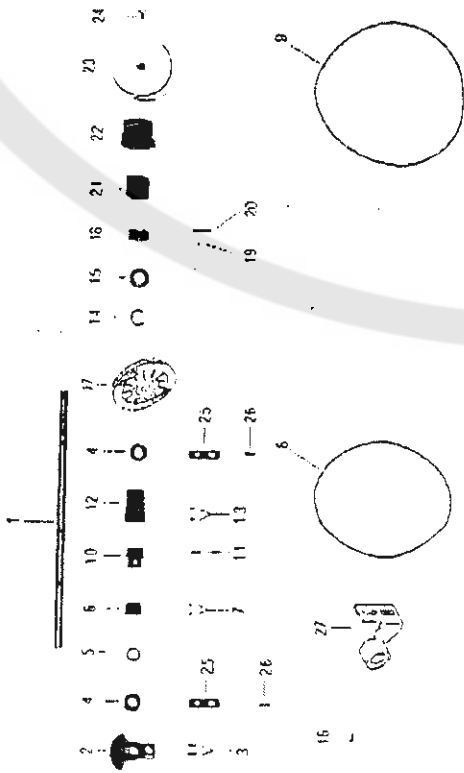
Ref. No.	Part No.	Part description	Amt. req.	Note
1	041214001-000	Outer hook (asm.)	1	
2	041098004-000	Bobbin case retaining magnet	1	
3	041215005-000	Outer hook holding plate	1	
4	171104002-034	Washer for set screw (M4)	2	
5	320240068-074	Outer hook holding plate set screw (M4)	2	
6	WZ-0641500-TH	Washer	1	
7	041216009-000	Outer hook gear	1	
8	310340047-024	Outer hook gear set screw (M4)	2	
9	041124007-000	Bobbin case (asm.)	1	
10	001141000-000	Transparent bobbin	1	
11	041213008-000	Hook holding plate	1	
12	320140101-074	Hook holding plate set screw (M4)	2	
13	A1835-067-0A0	Bobbin case turn stopper base (asm.)	1	
14	A1853-067-000	Bobbin case turn stopper spacer	1	
15	320230208-074	Bobbin case turn stopper set screw (M3)	1	

#### 4. PRESSER FOOT AND THROAT PLATE COMPONENTS



Ref. No.	Part No.	Part description	Amt. req.	Note
1	020708007-000	Presser bar	1	
2	021130004-000	Presser bar guide	1	
3	310350107-024	Presser bar guide set screw (M5)	1	
4	020689008-000	Presser spring	1	
5	021131008-000	Presser spring holder	1	
6	320140101-074	Presser spring holder set screw (M4)	1	
7	000421462-000	Presser holder	1	
8	123010006-074	Presser holder set screw	1	
9	000421474-000	Presser foot for zigzag	1	
10	021036007-383	Lifting lever	1	
11	021150003-000	Lifting lever shaft	1	
12	170104005-024	E ring #4	2	
13	051893005-000	Thread release	1	
14	353500135-024	Thread release hinge screw (M3.5)	1	
15	040678002-000	Thread release spring	1	
16	041252002-000	Throat plate (asm.)	1	
17	041218006-000	Throat plate	(1)	
18	041219000-000	Hook cover support	(1)	
19	320120034-034	Hook cover support set screw (M2)	(1)	
20	041220001-000	Bobbin case turn stopper plate	(1)	
21	320120034-034	Bobbin case turn stopper plate set screw (M2)	(1)	
22	134002002-014	Throat plate screw	2	
23	A1110-067-000	Hook cover	1	

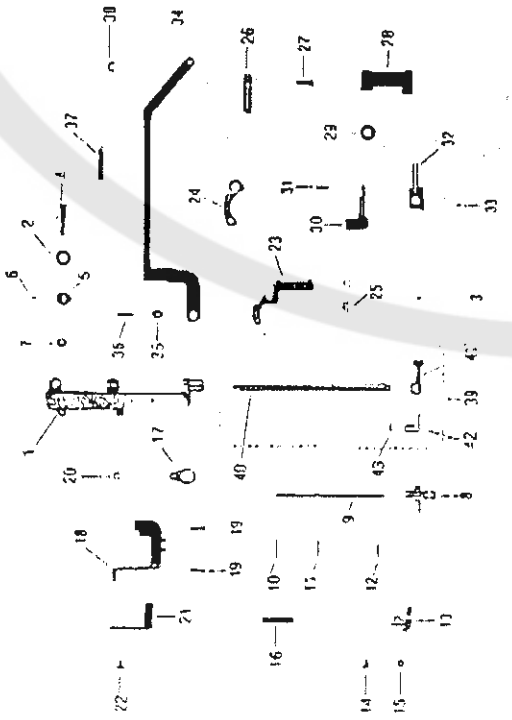
5. MAIN SHAFT COMPONENTS



Ref. No.	Part No.	Part description	Am't. req.	Note
1	021109003-009	Main shaft	1	
2	021110905-000	Crank weight	1	
3	310030102-024	Crank weight set screw (M5)	2	
4	02111009-020	Main shaft bushing	2	
5	W.P.-1030316-RZ	Thrust washer dia. 10x0.5	1	
6	021017901-070	Main shaft thrust collar	1	
7	310340047-24	Main shaft thrust collar set screw (M4)	2	
8	A7112-163-069	Timing belt XLI1560	1	
9	A7112-063-000A	Timing belt XLI184	1	
10	0211121001-006	Timing pulley upper	1	
11	320235 103-024	Timing pulley, upper set screw (M1.5)	1	
12	023246001-020	Tapered worm	1	
13	310340047-024	Tapered worm set screw (M4)	2	
14	170109003 024	E ring #9	1	
15	W.P.-1020216-RZ	Main shaft pulley washer	1	
16	320140082-074	Idler pulley (asm.) set screw (M4)	1	
17	A1212-693-060	Main shaft pulley (asm.)	1	
18	021010026-006	Clutch bushing	1	
19	31054017-024	Clutch bushing set screw (M4)	1	
20	170124001-024	Spring pin dia. 4x2.0	1	
21	A1218-330-000	Clutch spring	1	
22	020940016-100	Clutch collar	1	
23	051710008-283	Hand wheel	1	
24	365000051-000	Hand wheel set screw	1	
25	0211121002-001	Ball dia. 20 bushing holding plate	2	
26	320140101-024	Ball dia. 20 bushing holding plate set screw (M4)	2	
27	021137009-000	Idler pulley (asm.)	1	

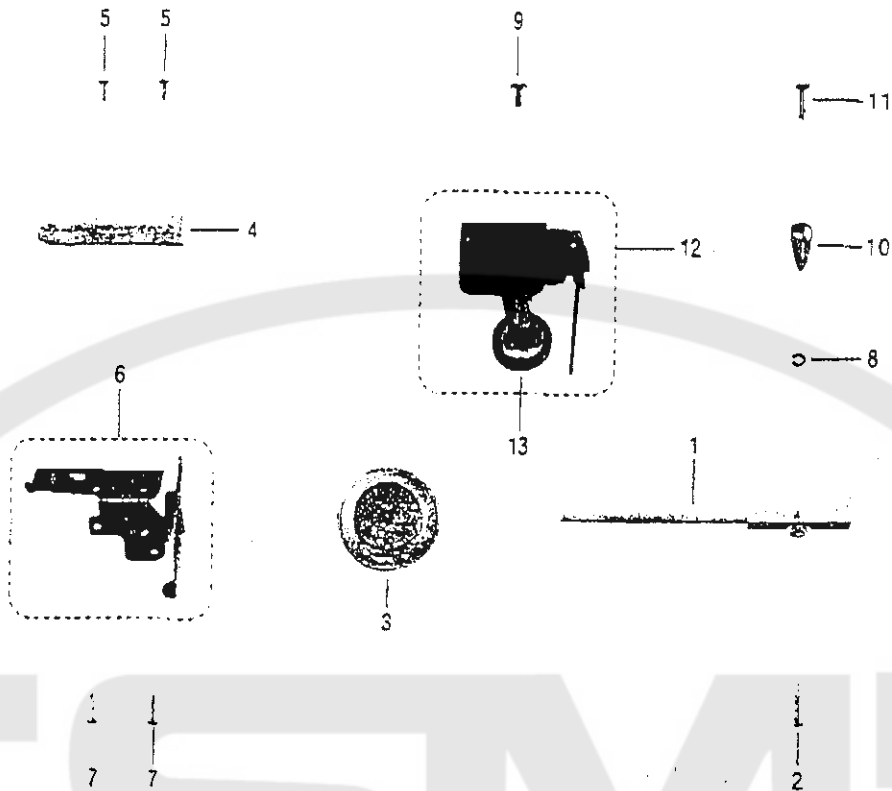
6. NEEDLE BAR AND THREAD TAKE-UP COMPONENTS

Ref. No.	Part No.	Part description	Am't. req.	Note
1	021127007-000	Needle bar frame	1	
2	WZ-0641500-111	Thrust washer	1	
3	080206232-028	Needle (#14)	1	
4	021127001-000	Needle bar frame shaft (rev. N, P)	1	
5	021169007-000	Gear selection collar (for needle bar frame shaft)	1	
6	310300037-024	Gear selection collar set screw (M3)	1	
7	174804006-000	Adjustable lock nut (M4)	1	
8	021128009-313	Threader knob	1	
9	021127005-000	Threader shaft	1	
10	020920015-000	Stainless pin dia. 2x12	1	
11	170511003-024	Pin with sh. dia. 2x14	1	
12	170421001-024	Spring pin dia. 2x8	1	
13	021128001-303	Threader hook holder (asm.)	1	
14	370140052-034	Threader hook holder (asm.) set screw (M3)	1	
15	143110185-014	Hexagon nut (M3)	1	
16	020920008-000	Threader guide spring	1	
17	021124004-100	Needle bar frame actuating arm	1	
18	A1404-067-100	Actuating arm support plate	1	
19	230140101-074	Actuating arm support plate set screw (M4)	2	
20	170010101-024	Needle bar frame actuating arm E ring #3	1	
21	A1404-067-001	Needle bar frame guide	1	
22	330253061-074	Needle bar frame guide set screw (M3.5)	1	
23	A1910-067-000	Thread take-up	1	
24	021114006-000	Thread take-up support	1	
25	170010101-024	Thread take-up E ring #5	2	
26	021113001-000	Thread take-up support shaft	1	
27	330253127-074	Thread take-up support shaft set screw (M3.5)	1	
28	021116004-100	Needle bar crank rod	1	
29	WZ-0631500-111	Washer	1	
30	021116007-000	Thread take-up crank	1	
31	310550107-024	Thread take-up crank set screw (M3)	1	
32	021119006-100	Needle bar connection	1	
33	310550017-024	Needle bar connection set screw (M4)	1	
34	073428008-000	Zigzag actuating plate	1	
35	021020001-004	Hexagon eccentric shaft	1	
36	320130170-024	Hexagon eccentric shaft set screw (M3)	1	
37	073460003-000	Zigzag actuating plate spring	1	
38	170101001-024	Zigzag actuating plate E ring #3	1	
39	021121001-400	Needle bar (arm)	1	
40	021147004-000	Needle bar	101	
41	020602104-000	Needle clamp (with screw)	101	
42	021119007-000	Needle bar thread guide	101	
43	020604101-000	Needle bar thread guide set screw	101	



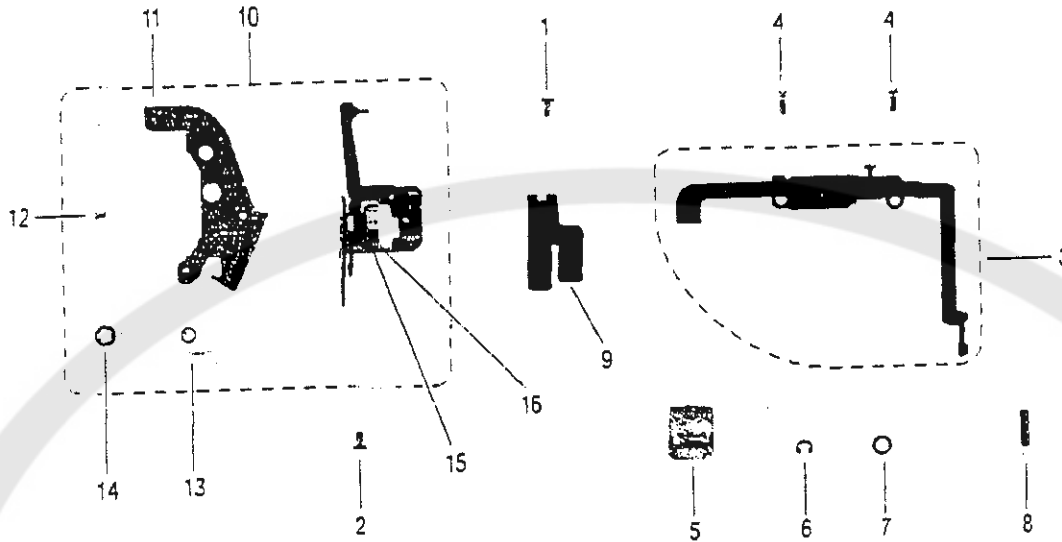


7. THREAD SPOOL COMPONENTS



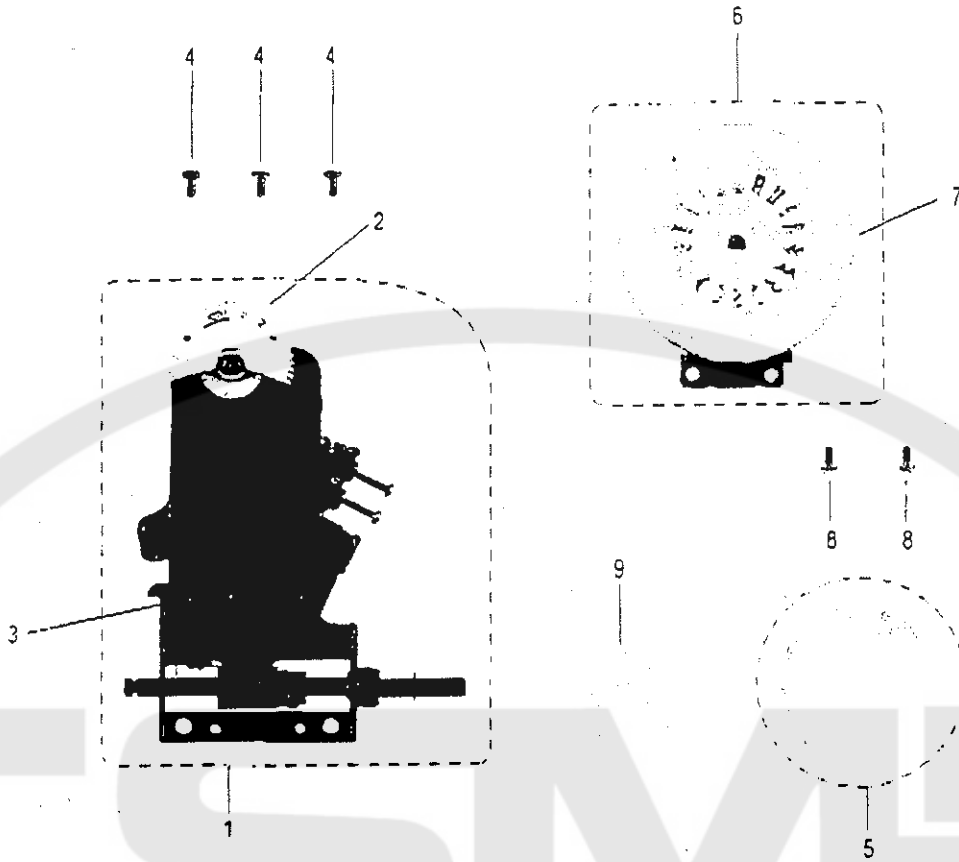
Ref. No.	Part No.	Part description	Amt. req.	Note
1	051884004-583	Thread stand bar	1	
2	171419007-034	Thread stand t. screw (M3)	1	
3	051720003-383	Bobbin winding regulator	1	
4	A3182-067-000	Thread guide cover	1	
5	171411003-034	Thread guide cover set screw (M3)	2	
6	051887005-000	Bobbin thread guide plate (asm.)	1	
7	171415008-034	Bobbin thread guide plate (asm.) t. screw (M3)	2	
8	543135201-024	Bobbin presser nut (M3.5)	1	
9	320240081-074	Bobbin winder (asm.) set screw (M4)	1	
10	051890004-583	Bobbin presser	1	
11	320235127-074	Bobbin presser set screw (M3.5)	1	
12	051891008-000	Bobbin winder (asm.)	1	
13	050536004-000	Bobbin winder rubber ring	(1)	

## 8. THREAD TENSION DIAL AND REVERSE STITCH KNOB COMPONENTS



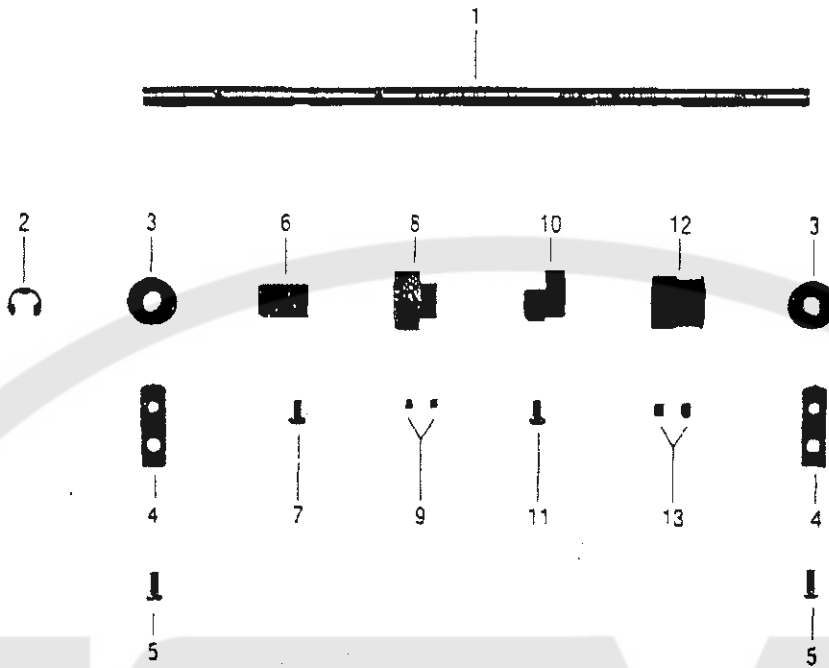
Ref. No.	Part No.	Part description	Amt. req.	Note
1	320240068-074	Reverse stitch lever guide plate set screw (M4)	1	
2	320240081-074	Thread tension dial (asm.) set screw (M4)	1	
3	031205004-000	Reverse stitch lever (asm.)	1	
4	320240101-074	Reverse stitch lever (asm.) set screw (M4)	2	
5	031193009-383	Reverse stitch knob	1	
6	170104005-024	E ring #4	1	
7	160162009-000	Washer	1	
8	031202003-000	Reverse stitch lever spring	1	
9	031201000-000	Reverse stitch lever guide plate	1	
10	A2301-60C-0A0	Thread tension dial (asm.)	1	
11	051910007-383	Thread tension dial cover	(1)	
12	320130052-034	Thread tension dial cover set screw (M3)	(1)	
13	A3128-067-000	Thread take-up spring	(1)	
14	172106007-000	CS ring #6	(1)	
15	A3126-60C-000	Thread tension indication seal	(1)	
16	051909005-383	Thread tension dial knob	(1)	

9. STITCH PATTERN DIAL COMPONENTS

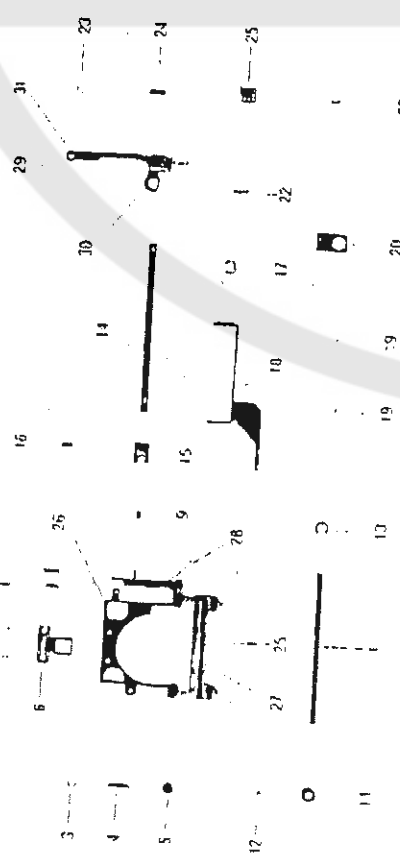


Ref. No.	Part No.	Part description	Amt. req.	Note
1	A2101-60C-0B0	Installing plate (asm.)	1	
2	031197003-015	Stitch length knob	(1)	
3	073420005-000	Selection shaft gear	(1)	
4	320240081-074	Installing plate (asm.) set screw (M4)	3	
5	051862008-383	Stitch pattern dial knob (asm.)	1	
6	073526004-015	Stitch pattern indication gear(asm.)	1	
7	A3902-60C-000	Stitch pattern indication gear	(1)	
8	320235061-074	Stitch pattern indication gear (asm.) set screw (M3.5)	2	
9	A2120-60C-000	Protective plate	1	

# 10. HOOK DRIVING SHAFT COMPONENTS

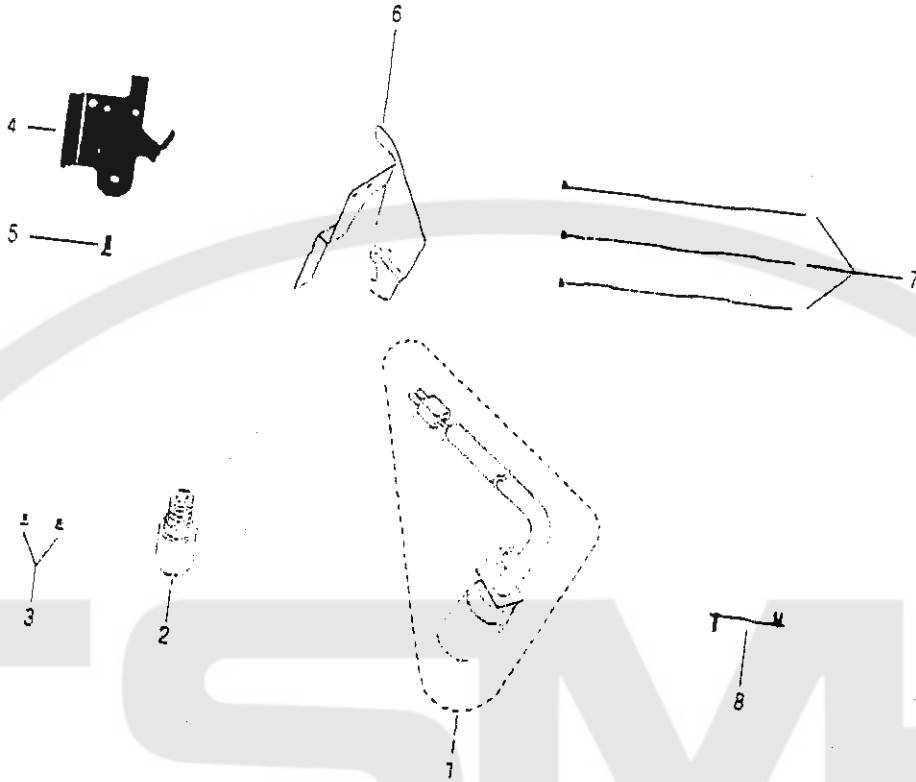


Ref. No.	Part No.	Part description	Amt. req.	Note
1	041206004-000	Hook driving shaft	1	
2	170107006-024	E ring #7	1	
3	041207008-000	Hook driving shaft bushing	2	
4	021112002-000	Ball dia.20 bushing holding plate	2	
5	320140101-074	Ball dia.20 bushing holding plate set screw (M4)	2	
6	041244005-000	Vertical feed cam	1	
7	320235085-074	Vertical feed cam set screw (M3.5)	1	
8	041210007-000	Hook driving gear	1	
9	310340047-024	Hook driving gear set screw (M4)	2	
10	041245009-000	Feed cam	1	
11	320235085-074	Feed cam set screw (M3.5)	1	
12	021054022-000	Timing pulley, lower	1	
13	310350065-024	Timing pulley, lower set screw (M5)	2	



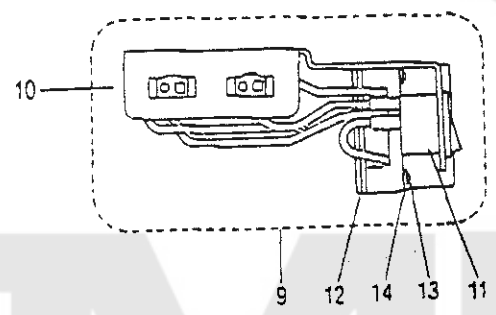
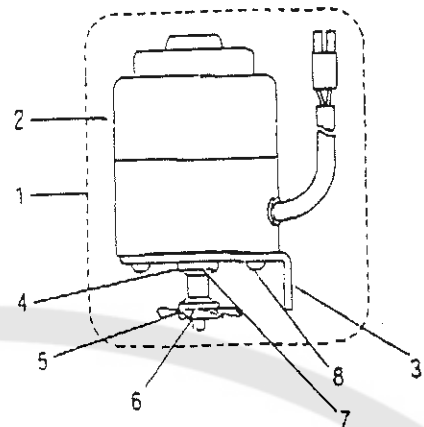
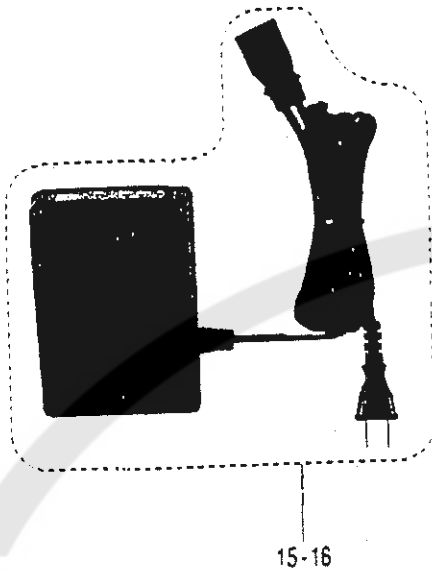
Ref. No.	Part No.	Part Description	Am't.	Req.	Note
1	041228001-000	Feed arm shaft			
2	071014002-000	Spring hook plate			
3	174804008-000	Adjustable lock nut (A11)			
4	041240031-000	Vertical feed adjusting shaft			
5	041234000-000	Vertical cap			
6	041228009-000	Feed dog			
7	320230051-074	Feed dog set screw (M3.5)			
8	041234006-000	Drawing spring			
9	041240091-000	Horizontal feed arm roller			
10	041240041-000	Horizontal feed arm drawing spring			
11	073193008-800	Z-tight lever collar (for feed arm shaft)			
12	310240017-024	Feed arm shaft collar set screw (M1.5)			
13	170105009-024	E ring #3			
14	041232003-000	Feed regulator shaft			
15	041231008-000	Feed regulator			
16	320231277-074	Feed regulator set screw (M3.5)			
17	170103009-024	E ring #5			
18	041235014-000	Feed dog installing plate			
19	320140101-074	Feed dog installing plate set screw (M1.4)			
20	041231003-000	Hook driving shaft support			
21	320230061-074	Spring hook plate set screw (M3.5)			
22	320133085-074	Feed driving arm set screw (M3.5)			
23	170103001-024	E ring #3			
24	041200007-000	Feed regulator spring			
25	041221002-000	Feed arm base (A3m.)			
26	041227007-000	Feed arm			(1)
27	041228004-000	Horizontal feed arm			(1)
28	041226018-000	Feed driving arm (A3m.)			(1)
29	073148006-000	S connecting rod			(1)

## 12. LAMP COMPONENTS



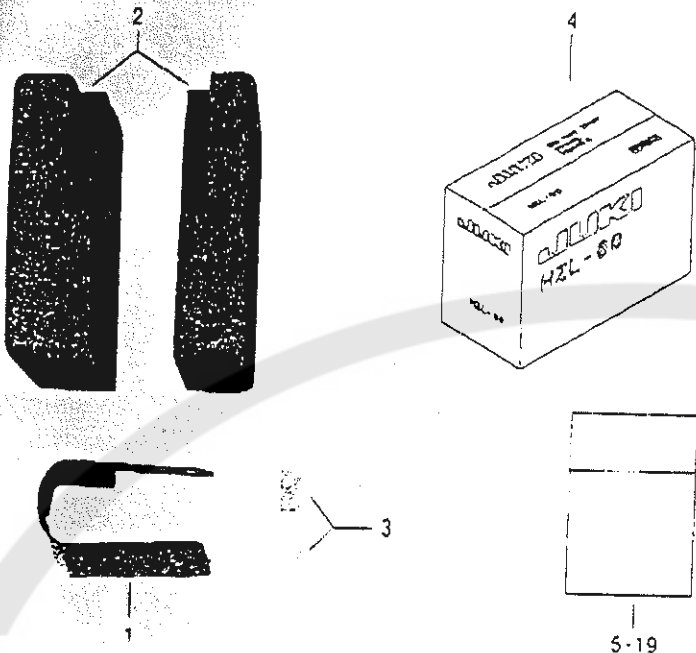
Ref. No.	Part No.	Part description	Amt. req.	Note
1	A3801-60C-0A0	Lamp unit (asm.)	1	
2	A3803-60C-000	Bulb	1	
3	320130052-034	Lamp unit (asm.) set screw (M3)	1	
4	A3117-60C-000	Front cover installing plate	2	
5	320140101-074	Front cover installing plate set screw (M4)	1	
6	A3806-60C-000	Tension thread cover	2	
7	173200013-000	Unitie fastener	1	
	175200651-000	Speed clamp 6.5	3	
			1	

### 13. MOTOR COMPONENTS

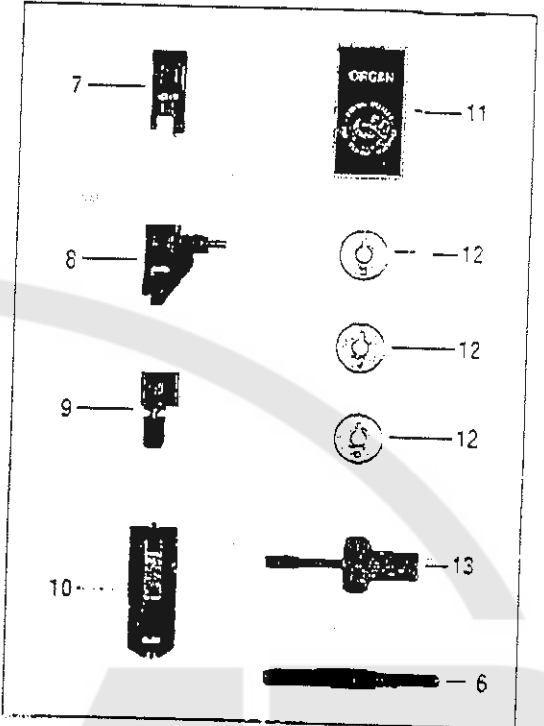


Ref. No.	Part No.	Part description	Amt. req.	Note
1	A7100-60C-0C0	Motor (compl.)	1	
2	A7100-60C-0A0	Motor (asm.)	(1)	
3	A7101-60C-000	Motor bracket	(1)	
4	A7100-030-00A	Motor shaft pulley	(1)	
5	A7100-030-00B	Motor shaft pulley flange	(1)	
6	A7130-030-000	Motor shaft pulley flange push nut	(1)	
7	PS-0200142-KH	Motor shaft pulley pin	(1)	
8	SM-S041055-SN	Motor set screw (M5)	(4)	
9	A4501-60C-0A0	Plug socket installing plate (asm.)	1	
10	A4501-60C-000	Plug socket installing plate	(1)	
11	A4511-60C-0B0	Plug socket (asm.)	(1)	
12	A4509-60C-000	Plug socket insulating plate	(1)	
13	SM-4031801-SF	Receptacle set screw (M4)	(2)	
14	WP-0371016-SF	Receptacle washer	(2)	
15	A6401-60C-0A0	Controller (asm.)	1	for europe
16	A6401-60C-0AA	Controller (asm.)	1	for korea

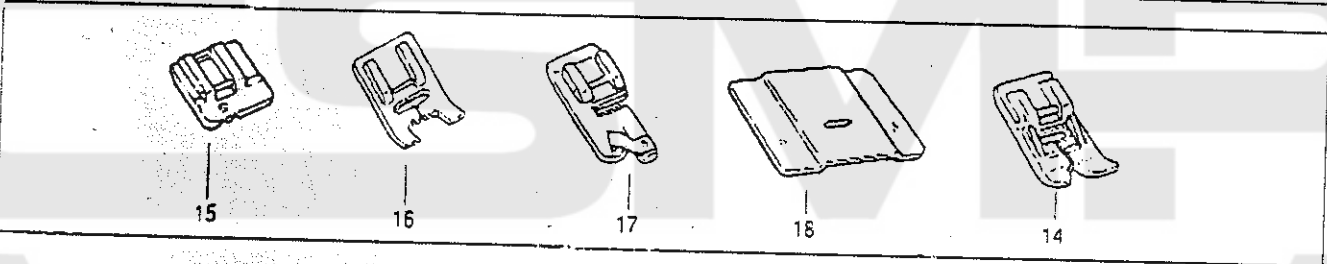
# 14. PACKING MATERIALS AND ACCESSORIES PARTS COMPONENTS



## ACCESSORIES PARTS



## OPTION PARTS



Ref. No.	Part No.	Part description	Amt. req.	Note
1	011050008-383	Main unit case	1	
2	001133002-000	Packing (left & right)	1	
3	001137007-000	Auxiliary bed packing	1	
4	J0202-60C-000	Carton	2	
5	AC060-C20-B0A	Instruction manual(English/French)	1	
6	A9131-990-000	Seam ripper	1	
7	000421486-000	Hemming foot	1	
8	000421498-000	Blindstitch presser foot	1	
9	000421401-000	Zipper foot	1	
10	000421371-000	Buttonhole foot	1	
11	000286197-000	Needle (#14x), #1(x2)	1	
12	001141000-000	Transparent bobbin	1	
13	000253039-000	Screwdriver (short)	3	
14	A9201-880-0A0A	Teflon presser foot (asm.)	1	
15	A9133-700-0AA	Concealed zipper presser foot (asm.)	1	
16	A9190-500-0A0	Manual buttonholing presser foot (asm.)	1	
17	A9104-700-0A0	Rolled hemming presser foot (asm.)	1	
18	A9145-030-2R0	Embroidery needle plate (asm.)	1	
19	AE060-C20-B9A	Instruction manual(Korean)	1	